

## **V**SAT *Ku-band Satellite Antenna*



Model:  
**FV-110**

## High-performance Ku-band Antenna

- ▶ Supports a variety of modem types\* (iDirect, Comtech, etc.)
- ▶ Easy to install with just one cable between Above Deck Equipment (ADE) and Below Deck Unit (BDU)
- ▶ Operate two antenna systems on a single modem for increased redundancy
- ▶ Easy maintenance access through hatch in the antenna unit
- ▶ Global support and services
- ▶ Antenna reflector size: 1.03 m
- ▶ Antenna weight: 126.5 kg

### \*Supported modems

- iDirect iNFINITI (Serial/OpenAMIP)
- iDirect Evolution (Serial/OpenAMIP)
- Comtech CDM-570L/625L
- Comtech CDM-570L with ROSS (ROAM)
- Gilat SkyEdge II
- STM SatLink 2900, etc.

For all supported models, please visit the link below.  
<http://www.furuno.com/en/merchant/vsat/FV-110/>

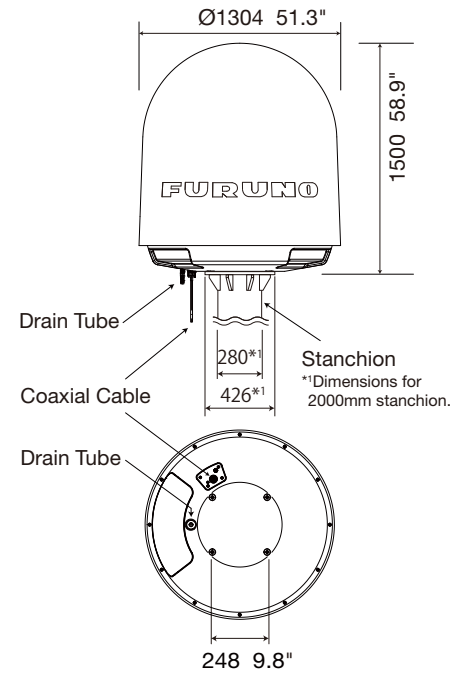
# Specifications

Product Name	KU-BAND ANTENNA	
<b>ADE</b>		
Antenna Diameter	Dish size: 1.03 m	
Antenna Gain	TX	41.60 dBi (14.25 GHz)
	RX	40.60 dBi (11.70 GHz)
Polarization	Co-pol and Cross-pol	
Transmitting Frequency	13.75-14.50 GHz (extended)	
Receiving Frequency	10.70-12.75 GHz	
RF Package	TX	8 W BUC
	RX	2 multi-band LNBS
GPS Receiver	Incorporated	
Ship's Motion	Roll	±30°/6 s
	Pitch	±15°/4 s
	Yaw	±10°/10 s
	Rate of Turn	±15°/1 s, 15°/1 s <sup>2</sup>
<b>Environment</b>		
Temperature	Operational: -25°C to +55°C	
	Storage: -40°C to +85°C	
Relative Humidity	100%, condensing	
Waterproofing	IPX6	
EMC	IEC 60945 Ed. 4	
Shock	IEC 60721-4-6 class 6M3	
Vibration	IEC 60945 Ed. 4	
Wind Speed	56 m/s Max.	

<b>ACU</b>		
Interface	Antenna Interface (50Ω, RFCable) x 1, Modem Interface (75Ω, Tx/Rx) x 1, Ethernet x 4, Heading x 1, RS442 x 1, RS232 x 1	
Power Supply	90 – 264 VAC, 370 W peak, 175 W typical	
<b>Environment</b>		
Temperature	Operational: -25°C to +55°C	
	Storage: -40°C to +85°C	
Relative Humidity	95 % at 40°C (non-condensing)	
EMC	IEC 60945 Ed. 4	
Vibration	IEC 60945 Ed. 4	

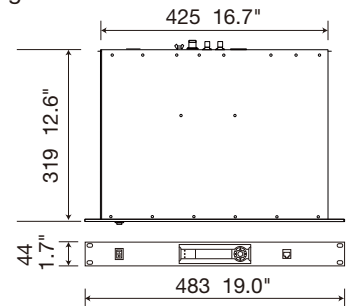
## ADE

126.5 kg 279 lb

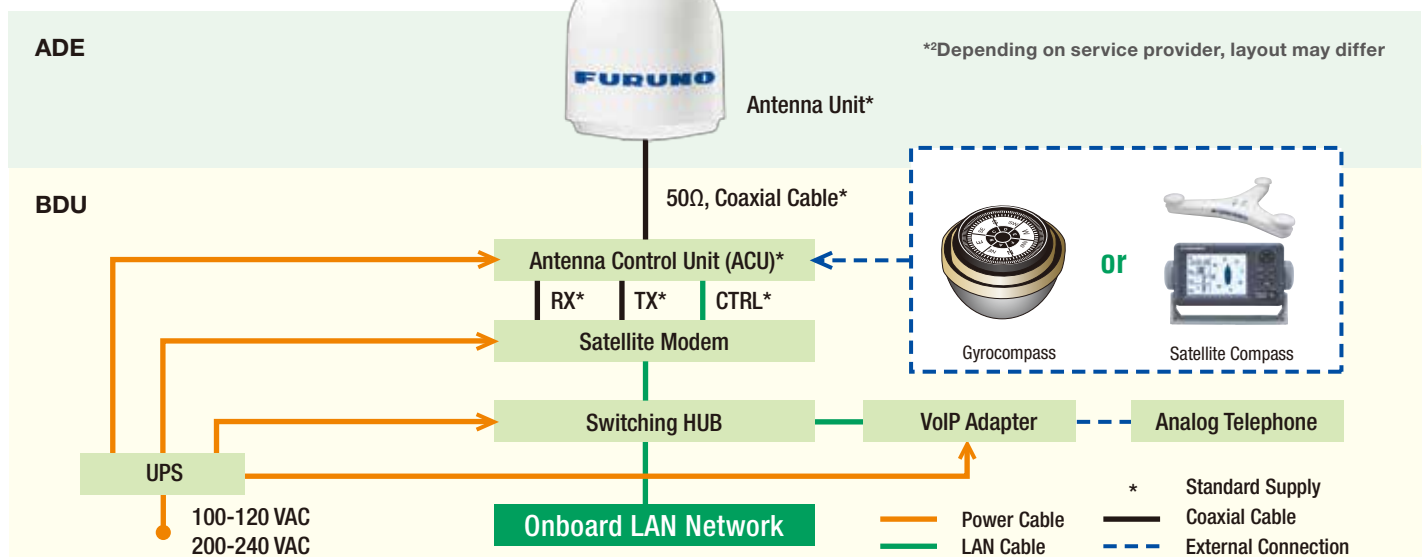


## ACU

4.2 kg 9.3 lb



## INTERCONNECTION DIAGRAM\*2



All brand and product names are registered trademarks, trademarks or service marks of their respective holders.  
 SPECIFICATIONS SUBJECT TO CHANGE WITHOUT NOTICE

**FURUNO ELECTRIC CO., LTD.**  
 Nishinomiya, Hyogo, Japan  
[www.furuno.com](http://www.furuno.com)  
**FURUNO U.S.A., INC.**  
 Camas, Washington, U.S.A.  
[www.furunousa.com](http://www.furunousa.com)  
**FURUNO (UK) LIMITED**  
 Havant, Hampshire, U.K.  
[www.furuno.co.uk](http://www.furuno.co.uk)  
**FURUNO NORGE A/S**  
 Ålesund, Norway  
[www.furuno.no](http://www.furuno.no)

**FURUNO DANMARK A/S**  
 Hvidovre, Denmark  
[www.furuno.dk](http://www.furuno.dk)  
**FURUNO SVERIGE AB**  
 Västra Frölunda, Sweden  
[www.furuno.se](http://www.furuno.se)  
**FURUNO FINLAND OY**  
 Espoo, Finland  
[www.furuno.fi](http://www.furuno.fi)  
**FURUNO POLSKA Sp. z o.o.**  
 Gdynia, Poland  
[www.furuno.pl](http://www.furuno.pl)

**FURUNO DEUTSCHLAND GmbH**  
 Rellingen, Germany  
[www.furuno.de](http://www.furuno.de)  
**FURUNO FRANCE S.A.S.**  
 Bordeaux-Mérignac, France  
[www.furuno.fr](http://www.furuno.fr)  
**FURUNO ESPAÑA S.A.**  
 Madrid, Spain  
[www.furuno.es](http://www.furuno.es)  
**FURUNO ITALIA S.r.l.**  
 Genoa, Italy

**FURUNO HELLAS S.A.**  
 Glyfada, Greece  
[www.furuno.gr](http://www.furuno.gr)  
**FURUNO (CYPRUS) LTD**  
 Limassol, Cyprus  
[www.furuno.com.cy](http://www.furuno.com.cy)  
**FURUNO EURUS LLC**  
 St. Petersburg, Russian Federation  
[www.furuno.ru](http://www.furuno.ru)  
**FURUNO CHINA CO., LTD.**  
 Hong Kong  
[www.furuno.com/cn](http://www.furuno.com/cn)

**FURUNO SHANGHAI CO., LTD.**  
 Shanghai, China  
[www.furuno.com/cn](http://www.furuno.com/cn)  
**FURUNO SINGAPORE PTE LTD**  
 Singapore  
[www.furuno.sg](http://www.furuno.sg)  
**FURUNO KOREA CO., LTD.**  
 Busan, Korea

2-B-17062SS Printed in Japan  
 Catalogue No. CA00001095